



# Italia

<b>1 Introduction .....</b>	<b>3</b>
1.1 Symbols used in this manual.....	3
<b>2 Safety .....</b>	<b>3</b>
2.1 General safety information .....	3
<b>3 Description of the product .....</b>	<b>5</b>
3.1 Components .....	5
<b>4 Intended use and installation location .....</b>	<b>6</b>
<b>5 Maintenance .....</b>	<b>8</b>
5.1 Troubleshooting Table .....	8
5.2 Cleaning .....	9
5.3 Scheduled maintenance.....	9
5.4 Extraordinary maintenance .....	9
<b>6 Technical data .....</b>	<b>10</b>
6.1 Technical features .....	10
6.2 Technical label.....	10
<b>7 Transport and Installation .....</b>	<b>10</b>
7.1 Transport .....	10
7.2 Installation .....	10
<b>8 Disassembly and Disposal.....</b>	<b>11</b>
<b>9 Optional.....</b>	<b>11</b>
9.1 Safety devices .....	11

## 1 Introduction

This manual, together with the others attached (e.g. motor manual, remote control etc.), is an integral part of the product and has been written for its user; it is fundamental to the correct use and maintenance of the product.

If this manual is lost or destroyed, the user must request a new copy from the reseller, supplying them with the main product data and the destination of the new copy.

The pages and content contained within this manual must not be removed, rewritten or modified in any way.

This manual must be kept intact in an easily accessible location until the product is disposed off.

The manufacturer reserves the right to update its products and their corresponding manuals without any obligation to update previous products and manuals.

The Manufacturer reserves all rights concerning this manual: no reproduction shall be permitted, in whole or in part, without its express written authorisation.

### 1.1 Symbols used in this manual

#### WARNINGS:



#### INFORMATION AND WARNINGS

*Instructions and advice to help ensuring correct use and storage of the product. Failure to follow these instructions may compromise the product's integrity and/or strength.*



#### CAUTION

*Operator hazard! Instructions and warnings to be read and followed carefully. Failure to observe these instructions may put people's safety at risk.*



#### CAUTION

*Read the instructions carefully before using the product.*

## 2 Safety

### 2.1 General safety information

- Close the product completely in the event of bad weather or snow. Danger of damage or injury.
- Operations of assembly/installation and first use, adjustment and extraordinary maintenance must only be performed by technicians trained and specialised for those tasks. Contact Technical Support.
- Do not place objects on the awning fabric.
- It is forbidden for people to hang or hold themselves on the product, this would create a serious risk of injury as well as potentially damaging the product itself.
- The manufacturer shall not be held responsible for any damage resulting from either tampering or unauthorised modification of the product.
- The user must not perform any operation or work on the product for which they are not authorised see Cap.4 "Intended use and installation location", pag.26 and Cap.5 "Maintenance", pag.28.
- Ensure there is nobody obstructing or excessively close to the product's moving parts when opening and closing.
- For products which can be operated from a position where they cannot be seen, or automatically by weather sensors, the user must adopt appropriate organisational measures to prevent the activation of the product when maintenance operations are being performed in the area, such as windows or walls' cleaning.
- The product absolves risks as per legislation EN13561: risks of a mechanical, electrical and ergonomic nature.
- The user must inform the Reseller immediately if any faults/malfunctions should occur on safety devices or if any other dangerous situation should occur.
- For any doubt, consult the reseller BEFORE using the product.
- Removing the safety devices installed on the structure is strictly forbidden (see Cap.9 "Optional", pag.31).
- It can be opened and closed by pressing a switch and/or via a remote control: both of these must be located OUT OF THE REACH OF CHILDREN.
- All maintenance and cleaning operations, and work done on the facade, must be performed with the electrical supply disconnected.



*In case the product is not being used for a prolonged period of time, do protect exposed mechanical parts (if there are any).*



*ALL MEASUREMENTS ARE GIVEN IN MILLIMETRES UNLESS OTHERWISE INDICATED.*



*Some figures could be of a general nature and not be referred to the product at issue.*

### 3 Description of the product

The awning can be installed either on the wall or on the ceiling and is manual or motorized.

Its operation is motorized; Optional Accessories can be installed on request (see Cap.9 "Optional", pag.31).

#### 3.1 Components

The awning is composed of a metal structure and a fabric screen.

- Metal structure: this represents the supporting frame containing the various mechanisms required to open and close the product.

It is composed of:

- cassette profile (A)
- roller tube (B)
- arms (G)
- terminal profile (M)
- fabric (X): provides the product's protection and coverage functions

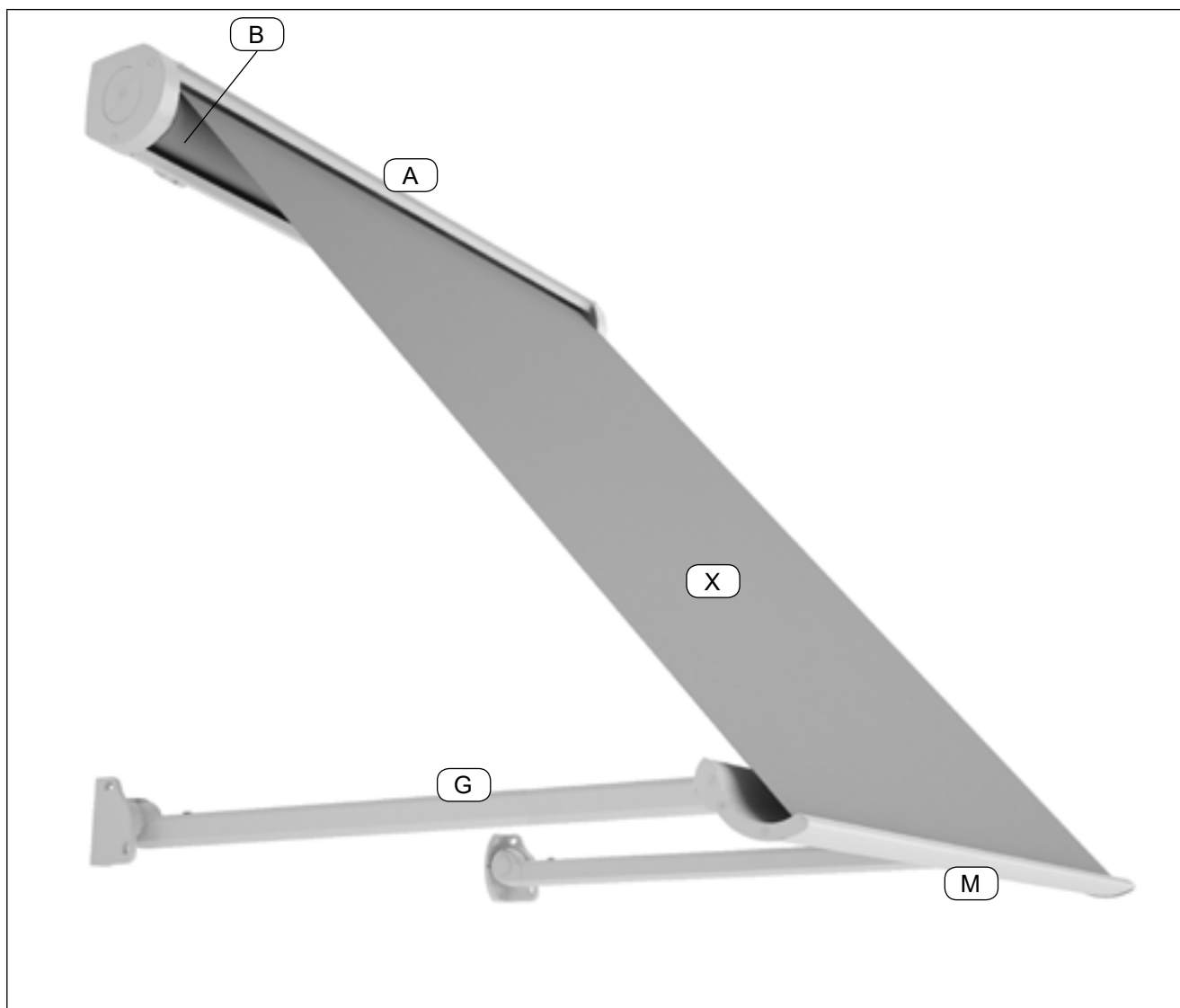


Fig. 5

The construction materials guarantee good resistance to wear, caused both by its use and by the weather.

## 4 Intended use and installation location

The product is designed to protect against solar radiation and possibly to limit reverberation in the space below it. Users of the product must be adults.

Improper use of the product shall release the Manufacturer from any liability from damage or injuries which might result.

**Failure to respect the indicated conditions of use shall invalidate any and all warranties provided by the manufacturer.**

The product, once installed, is intended only to perform raising or lowering of the fabric in order to reach the maximum opening and closing positions, as well as the intermediate ones if required.



· Before making the product operational, read Cap.2 "Safety", pag.23 and Cap.4 "Intended use and installation location", pag.26 carefully.

· Ensure there is nobody obstructing or excessively close to the product's moving parts when opening and closing.

· Pay attention to all the warnings applied to the product, and follow all safety regulations and instructions for use.

· Any use other than those indicated above is forbidden, as different conditions of use could create risks to the user and other persons nearby.

· It is strictly prohibited to climb on or hang/place any objects from/on the product.



· The product must always be opened from top to bottom and never vice versa, as it could break with the risk of serious personal injuries.



· Close the product completely in the event bad weather or snow.

· The operation of the product with snow on the fabric or in freezing temperatures could damage it.

· The formation of condensation on the fabric should not be considered a defect; it is a natural phenomenon.

### Manual product

The product is opened and closed by a rod attached to a manual crank.

### Motorized product

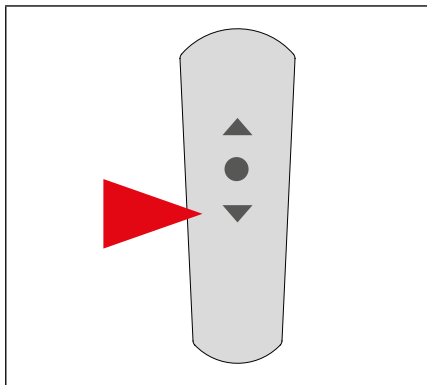
The product can be opened and closed via:

· a SWITCH installed near the product in a position providing the user full visibility of the same during its movement.

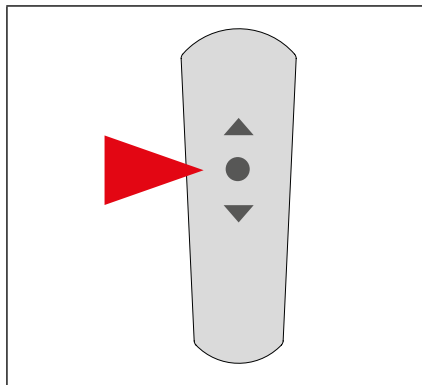
If installed outdoors, the switch must have appropriate ingress protection.

· A REMOTE CONTROL, portable or wall mounted.

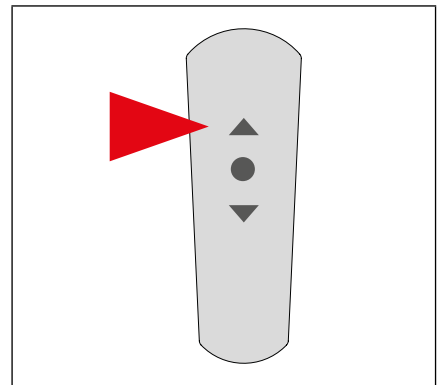
The minimum installation height of the product should comply with applicable legislation; if fitted, the opening/closing switch must be installed in a protected position, at a minimum, legal height from the ground and in an area which is not dangerous to access.



**Fig. 6 OPENING:** Fabric stretched to its maximum extension.



**Fig. 7 STOP:** Stop of the movement.



**Fig. 8 CLOSURE:** Fabric wrapped around roller tube.

See the instructions provided in the remote control manual annexed.



- *Use a lockable (key) switch if the structure is to be installed in sensitive locations such as schools, colleges, hospitals, rest homes etc.*
- *If the product is fitted with a remote control, this must be kept out of the reach of children.*

The remote control may also be used outdoors, as long as the system has an IP rating of IP55 or higher. The space made available during the installation must take into account the space required for the movement and allow the product to open fully.



- *No ladders or other fixed objects must be installed or positioned near the product, such that the spaces it needed are reduced.*

The characteristics and operation of these systems are described in the manuals, which are supplied as annexes, for the requested controls, motor and automatic devices.

In the event of faults or malfunctions, contact your reseller.

## 5 Maintenance



· MAINTENANCE ON ELECTRICAL PARTS MUST ONLY BE PERFORMED BY QUALIFIED PERSONNEL

· All maintenance and cleaning operations must be performed with the electrical supply disconnected.  
· There is the danger of deadly electrical charges over the course of the research or of the restoration of potential malfunctions in the electrical part.



· Before operating the structure, read instructions in Cap.2 "Safety", pag.23 carefully.  
· The operations of assembly of the components, installation and first start of the product must only be performed by specialised and qualified technicians, and is the responsibility of the reseller and/or manufacturer.

### 5.1 Troubleshooting Table



· All safety requirements must be followed in the event of faults or troubleshooting.

For faults and errors not listed in the following tables, contact Technical Support.

#### MANUAL AWNING

PROBLEM	CAUSES	SOLUTIONS
Fabric does not roll up evenly (forms cone)	Structure out of square	Contact Technical Support
	Gust of wind	Unroll the fabric and eliminate any folds
The product jerks when opening, jams and movement is noisy	Structure out of square	Contact Technical Support
	Check that there are no obstacles preventing the terminal from sliding	Remove any obstacles

#### MOTORISED AWNING

PROBLEM	CAUSES	SOLUTIONS
Fabric does not roll up evenly (forms cone)	Structure out of square	Contact Technical Support
	Gust of wind	Unroll the fabric and eliminate any folds
Squeaking noise during movement of the product	Impurities/obstructions in moving parts	Clean and lubricate any moving parts
	Structure out of square	Contact Technical Support
The product jerks when opening, jams and movement is noisy	Structure out of square	Contact Technical Support
	Check that there are no obstacles preventing the terminal from sliding	Remove any obstacles
The motor does not stop during the product closing phase	Incorrect programming	Contact Technical Support
The motor is very noisy	Wiring error/faulty motor	Contact Technical Support
The motor stops after 4-5 minutes of continuous operation	Motor thermal cutout	Let the motor cool down
The product opens and closes on its own with a remote control system	Faulty/unpowered rain sensor/ anemometer	Contact Technical Support
	Motor not correctly programmed	
The product opens and closes on its own with a remote control system	Remote control battery flat	Replace the battery
	Anemometer/rain sensor operational	Wait for the wind/rain to stop
The product will not move	Remote control battery flat	Replace the battery
	Anemometer/rain sensor operational	Wait for the wind/rain to stop
	Lack of power supply	Connect the power supply
	Broken motor	Contact Technical Support
	Wiring error	Contact Technical Support
The product does not open or close fully	Incorrect programming	Contact Technical Support
	Anemometer/rain sensor operational	Wait for the wind/rain to stop



## 5.2 Cleaning



· All cleaning operations must be performed with the electrical supply disconnected.



- Clean monthly, or when required.
- Qualified personnel are not required for ordinary cleaning operations.
- Using ladders, trestles or other similar equipment for cleaning must only be performed by specialised personnel, who must follow applicable health and safety legislation and use appropriate PPE such as safety harnesses etc.
- Do not use organic solvents, ammonia or hydrocarbons.
- Avoid the use of abrasive products.

Cleaning the fabric is essential to protect against the formation of mould due to dust or other material deposited on the fabric; this can be performed by vacuuming up the dust, or using a damp cloth or sponge with warm water. Dry the fabric after cleaning.

Cleaning of the aluminium components may be performed with water and neutral detergent.

## 5.3 Scheduled maintenance



· All maintenance operations must be performed with the electrical supply disconnected.



· Clean the stainless-steel parts with a soft cloth and a spray with PTFE (teflon).



· Qualified personnel are not required for ordinary maintenance operations.

The operations described below will keep the product in good condition if they are performed according to the indicated frequencies and timeframes.

### Twice a year

Check the cleanliness of the aluminium components.

Perform frequent checks on the installation, and visually check whether there are any signs of wear or not. Contact Technical Support if necessary.

The fabric must be visually inspected to check whether there are any tears or ruptures in the stitches.

### Yearly

Check that moving parts are operating correctly, contact Technical Support if necessary.

## 5.4 Extraordinary maintenance

**A specialised technician must check the correct operation every two years.**



- All extraordinary maintenance operations must be performed by qualified and trained personnel. Request specialist assistance from Technical Support.
- In the event of a potential dismantling of either the product or part of it, see the instructions of the assembly, the installation and the siting.
- Original spare parts must be used or the warranty shall lapse.

Requests for spare parts must be sent to your reseller.

**THE PRODUCT WARRANTY WILL LAPSE IF SCHEDULED AND EXTRAORDINARY MAINTENANCE ARE NOT PERFORMED.**

## 6 Technical data

### 6.1 Technical features

Max. dimensions (mm) and weight (Kg/m <sup>2</sup> )		Italia
Width		5000
Height		3600
Projection (awning open)		1800
Approx. weight (kg)		50
Roller tube (Ø)		70

Safety performance per EN13561		
Wind resistance class		2
Nominal test pressure p(N/m <sup>2</sup> ) α=1		70
Wind speed (Km/h)		38
Total transmittance of solar energy g <sub>tot</sub>	see attached label	

MOTOR	
Type	see manual for installed motor
Specifications	CE marking, approved for sun awnings

For the specifications of the optional accessories, see Cap.9 “Optional”, pag.31 and the corresponding instructions.



- The resistance to pooling water is tested with an inclination of 25%; retract the awning during rain if the angle is less than this.
- The maximum load permitted for non-retractable parts is 800 Pa.



- The resistance to pooling water is tested with an inclination of 25%; retract the awning during rain if the angle is less than this.
- The maximum load permitted for non-retractable parts is 800 Pa.

### 6.2 Technical label

The “technical label”, which is on the inside cover of this manual, specifies the year in which the CE marking, the manufacturer’s data and the specific product data were applied.

## 7 Transport and Installation

### 7.1 Transport

Transport and shipping shall be borne by the reseller and/or the manufacturer, who shall transport the product using adequate packages to protect it up until its delivery to the final customer.

**Any damage to the product sustained during removal and subsequent handling and/or transport, performed after the initial installation, is not covered by warranty.**

The packaging material must be disposed off and/or recycled according to the applicable local legislation.

### 7.2 Installation



- Assembly of the components, installation and first start of the product must only be performed by specialised and qualified technicians, and is the responsibility of the reseller and/or manufacturer.

All the instructions and the main safety standards to perform these operations are described in the “Assembly Manual” and the “Installer Manual”.

The position chosen by the user for the installation of the product must provide adequate support as well as the space necessary for the structure to open fully (see “Installer Manual”).

## 8 Disassembly and Disposal



*The product must be removed and disassembled by trained and qualified personnel, in compliance with health and safety legislation. Request specialist assistance from Technical Support.*

Operations must be performed with the product completely closed.

**Cut the power supply to the system** by disconnecting the circuit that supplies the switch, disconnect the motor, open the support brackets and remove the structure from them.

No materials considered hazardous have been used in the product; there are no particular instructions for its disposal or scrapping.

Follow applicable legislation in force when the product is removed for its disposal.

## 9 Optional

### 9.1 Safety devices

The product can provide on request:

**(only in motorized models)**

- **WIND SENSOR:** automatically closes the awning in the event of strong wind. The set point for the wind sensor (anemometer) operation is recorded during the first-start procedure described in the Installer Manual.
- **RAIN GAUGE** automatically closes the awning in the event of prolonged rain. The set point for the rain gauge (pluviometer), which measures the amount of rain which has fallen in a given period of time, is recorded during the first-start procedure described in the Installer Manual.
- **EMERGENCY CRANK:** in the event of a power cut, it is possible to roll up the awning thanks to the presence of an emergency manual crank.
- **TWILIGHT SENSOR:** when the ambient light level decreases, the electrical circuit automatically closes the awning.



*The protection systems may be ineffective in particular climatic conditions.*

The characteristics and operation of these optional accessories are described in the manuals, supplied as annexes, concerning requested controls, motor and automatic devices.

Installation is described in the “Installer Manual”.

**THE DECLARATIONS OF PERFORMANCE (DOP) ARE AVAILABLE ON THE KE WEBSITE [www.keoutdoordesign.it](http://www.keoutdoordesign.it).**

# KE

ENJOY THE OUTDOORS

## **KE PROTEZIONI SOLARI srl**

### *Sede*

Via Calnova, 160/a  
30020 Noventa di Piave (VE) - Italia  
T + 39 0421 307000 r.a.  
F +39 0421 658840

### *Filiale di Varese*

Via Matteotti, 21/23  
21030 Rancio Valcuvia (VA) - Italia  
T +39 0332 994083  
F +39 0332 994156

### *Filiale di Pistoia*

Via Rubattorno, 89/91  
51039 Quarrata (PT) - Italia  
T +39 0573 797201  
F +39 0573 1712084

[www.keoutdoordesign.it](http://www.keoutdoordesign.it)  
[info@keitaly.it](mailto:info@keitaly.it)

## **KE FRANCE sas**

Route de Landouville  
28170 Tremblay-Les-Villages  
France  
T +33 02 37648383  
F +33 02 37653072  
[www.keoutdoordesign.fr](http://www.keoutdoordesign.fr)  
[service.clients@kefrance.fr](mailto:service.clients@kefrance.fr)

## **KE DURASOL**

445 Bellvale Road  
Chester NY 10918  
T +1 888 378-2765  
F +1 845 692-1101

## **CALIFORNIA DIVISION**

1510 S. Auto Center Drive  
Ontario, CA 91761  
T +1 844-387-2765

## **COMMERCIAL DIVISION**

38 Pond Lane, Suite B  
Middlebury, VT 05753  
T +1 802-388-7309  
[www.keoutdoordesign.us](http://www.keoutdoordesign.us)

## **GENNIUS FRANCE sas**

Zac Ducournau  
Quartier Des 4 Chemins  
83340 Flassans Sur Issole  
T +33 04 94781773  
F +33 04 94047932  
[www.keoutdoordesign.fr](http://www.keoutdoordesign.fr)  
[info@geniusfrance.fr](mailto:info@geniusfrance.fr)

## **KE GENNIUS IBÉRICA, S.L.**

Travesia Cuenca - 3, núm.2  
Pol. Ind. Camporosso  
Apartado de Correos n°22  
02520 Chinchilla de Monte Aragón  
Albacete  
T +34 967 099 301  
F +34 967 261 584  
[www.keoutdoordesign.es](http://www.keoutdoordesign.es)  
[info@geniusiberica.es](mailto:info@geniusiberica.es)

MADE IN ITALY



exo

© 2014 KE OUTDOOR DESIGN